



Akcesoria do bram i ogrodzeń marki PSG oraz elektronarzędzia



PSG

DEWALT

BOSCH

2.01

wózki i akcesoria • cantilever gate carriages, accessories • Wagen, Zubehör
 • каретки и аксессуары • vodící vozíky a příslušenství



wózek jezdny 80 z dużą płytą
cantilever gate carriage 80, big plate

rolki stalowe / steel wheels

N° **60.000**



wózek jezdny 80
cantilever gate carriage 80

rolki stalowe / steel wheels

N° **60.001**



wózek jezdny 80
cantilever gate carriage 80

rolki stalowe / steel wheels

N° **60.002**



wózek jezdny 80
cantilever gate carriage 80

rolki stalowe / steel wheels

N° **60.003**

rolki plastikowe / plastic wheels

N° **60.000.01**

rolki plastikowe / plastic wheels

N° **60.001.01**

rolki plastikowe / plastic wheels

N° **60.002.01**

rolki plastikowe / plastic wheels

N° **60.003.01**

wózek jezdny 70, rolki metalowe
cantilever gate carriage 70
metal wheel

N° **60.002.70**

wózek jezdny 70, rolki metalowe
cantilever gate carriage 70
metal wheel

N° **60.003.70**



2x 60.003
+ 60.010
+ 60.020

N° **60.00P.80**



2x 60.003.70
+ 60.010
+ 60.020

N° **60.00P.70**



wózek jezdny 80
cantilever gate carriage 80

rolki stalowe / steel wheels

N° **60.004**



wózek jezdny 80
cantilever gate carriage 80

rolki stalowe / steel wheels

N° **60.005**



wózek jezdny 80
cantilever gate carriage 80

rolki stalowe / steel wheels

N° **60.006**



wózek jezdny 80
cantilever gate carriage 80

rolki stalowe / steel wheels

N° **60.007**

rolki plastikowe / plastic wheels

N° **60.004.01**

rolki plastikowe / plastic wheels

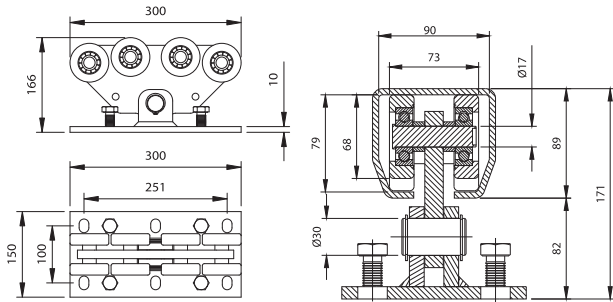
N° **60.005.01**

rolki plastikowe / plastic wheels

N° **60.006.01**

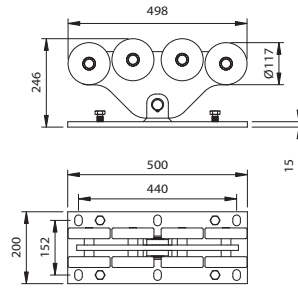
rolki plastikowe / plastic wheels

N° **60.007.01**



wózek jezdny 68, rolki stalowe, do szyny 100x89x5
cantilever gate carriage 68, steel wheels

N° **60.350.8P**



wózek jezdny 117, rolki stalowe, do szyny 140x140x6
cantilever gate carriage 117, steel wheels

N° **60.350.8G**



100x89x5, H=6000

N° **60.345P**

na zamówienie szyna max do H=13 000 mm



140x140x6, H=6000

N° **60.345G**

na zamówienie szyna max do H=13 000 mm



rolka najazdowa
guide wheel



N° **60.010**



uchwyt najazdu 80
cup for rail 80

N° **60.019**



uchwyt najazdu
cup for rail

N° **60.020**



uchwyt najazdu 80
cup for rail 80

N° **60.021**



uchwyt bramy 40
cup for gate 40

N° **60.022**



uchwyt bramy 60
cup for gate 60

N° **60.023**



uchwyt bramy 80
cup for gate 80

N° **60.024**



prowadzenie górne stałe
fixed gate guide

N° **60.030**



prowadzenie górne regulowane
adjustable, gate guide

N° **60.030.01**



przewodzenie górne regulowane
adjustable, gate guide

N° **60.031**



new

zderzak zewnętrzny
gate stopper

100x80, H95

N° **60.038**



new

zderzak zewnętrzny
gate stopper

100x100, H146

N° **60.039**



Ø25



Ø30



Ø32



Ø35



Ø40



Ø35

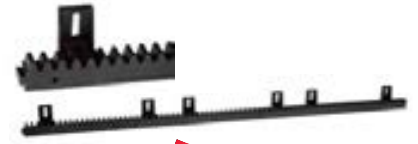


Ø40

N° **60.040** **60.040.01** **60.040.02** **60.040.03** **60.040.05** **60.043** **60.049**



new



new

listwa zębata stalowa / steel zinc gear racks

listwa zębata tworzywo / plastic gear racks

L 1000 x 10

L 1000 x 8

3x L 333 x 18

3x L 333 x 20

L 1000 x 18

L 1000 x 20

N° **60.050** **60.051** **60.055** **60.055.01** **60.056** **60.056.01**



70 x 70 x 27,5 x 4

6000

N° **60.070**



80 x 80 x 27,5 x 5

6000

N° **60.080**



80 x 80 x 27,5 x 5

7000

N° **60.080.01**



type

„V”

„O”

„O”

„T”

Ø 70 x 20

Ø 70 x 16,5

Ø 90 x 3/4”

Ø 70 x 20

N°

60.100

60.102

60.103.01

60.104

Ø 90 x 20

Ø 90 x 1/2”

Ø 90 x 20

N°

60.101

60.103

60.105



type

„V”

„O”

„O”

„T”

Ø 75 x 22

Ø 75 x 1/2”

Ø 90 x 3/4”

Ø 70 x 22

N°

60.106

60.108

60.109.01

60.110

Ø 90 x 22

Ø 90 x 1/2”

Ø 90 x 22

N°

60.107

60.109

60.111



type

„V”

„T”

Ø 70 x 20

Ø 70 x 20

N°

60.120.70

60.122.80

Ø 90 x 20

N°

60.120.90



mm

Ø 25

Ø 44

Ø 25

Ø 44

M8

M12

M8

M12

N°

60.201.25

60.201.44

60.202.25

60.202.44



zawias regulowany
adjustable hinges

M20, 100x100x4

N° **61.000**



zawias do spawania
welding hinges

M16

N° **61.001**



zawias regulowany
adjustable hinges

M18, L 130 mm

N° **61.003**



zawias do wmurowania
built-in hinges

M16

N° **61.005**

N° **61.002**

M20, L 130 mm

N° **61.004**

M20

N° **61.006**



zawias regulowany
adjustable hinges **new**

M16, 155x80x4

N° **61.007**



zawias regulowany
adjustable hinges **new**

M20, 160x105x6

N° **61.008**



zawias do spawania
welding hinges

M18

N° **61.010**



zawias regulowany
adjustable hinges

M16

N° **61.012**



zawias regulowany z szyldem
adjustable hinges with shield

M16, 80 x 80 x 3

N° **61.016**



zawias regulowany z szyldem
adjustable hinges with shield

M16, 80 x 80 x 3

N° **61.018**

N° **61.011**

M22

N° **61.013**

M20

M20, 100 x 100 x 4

N° **61.017**

M20, 100 x 100 x 4

N° **61.019**



zawias regulowany
adjustable hinges

M20

N° **61.021**



zawias regulowany
adjustable hinges

M18

N° **61.023**



zawias do spawania
welding hinges

M20

N° **61.027**



zawias do spawania
welding hinges

M18

N° **61.029**

N° **61.024**

M22

N° **61.028**

M24

N° **61.030**

M22



zawias do wmurowania
built-in hinges

M20

N° **61.040**



zawias do wmurowania
built-in hinges

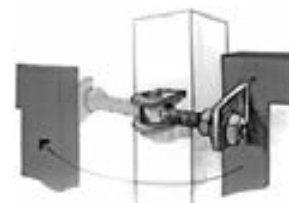
M18

N° **61.042**



zawias, kąt otwarcia 180
hinges, open angle 180°

N° **61.051**



61.051, 61.052

M24

N° **61.041**

M22

N° **61.043**

N° **61.052**



zawias regulowany do wspaw.
adjustable welding hinges

Ø30 M20 **new**

N° **61.053**



zawias regulowany do wspaw.
adjustable welding hinges

Ø30 M20 **new**

N° **61.055**



łącznik zawiasu
connector

Ø28,5 H55/35x35 **new**

N° **61.057**



zawias dolny
bottom hinges

Ø20 H89/60x60/15 **new**

N° **61.059**

Ø35 M24 **new**

N° **61.054**

Ø35 M24 **new**

N° **61.056**

Ø33,5 H60/40x40 **new**

N° **61.058**



zawias regulowany
adjustable hinges

M16, 120x75 **new**

N° **61.061**



zawias regulowany
adjustable hinges

M20, 160x85 **new**

N° **61.063**



zawias regulowany
adjustable hinges
z kulą / with ball

Ø24+K M12, 140x40 **new**

N° **61.064**



zawias dolny
bottom hinges
z kulą / with ball

Ø30+K M18, 160x85 **new**

N° **61.066**

M20, 160x85 **new**

N° **61.062**

Ø27+K M16, 180x50 **new**

N° **61.065**



stoper
gate stop

Ø 90 x 90

N° **61.090**



stoper do przykrecenia
screw fixing gate stop

157 x 130 x 44

N° **61.091**



listwa antywłamaniowa
anti-theft rack

H 33 x L 2000 / 3

N° **61.095**



□	Ø20	Ø29	Ø20	Ø24	Ø30	Ø30
H (mm)	100	130	100	122	146	230
N°	61.100	61.101	61.102	61.103	61.104	61.105



□	Ø27
H (mm)	145
N°	61.106



Ø	H	N°
12	60	61.112
16	66	61.116
20	70	61.120
24	80	61.124
27	90	61.127
30	100	61.130
35	120	61.135
40	120	61.140



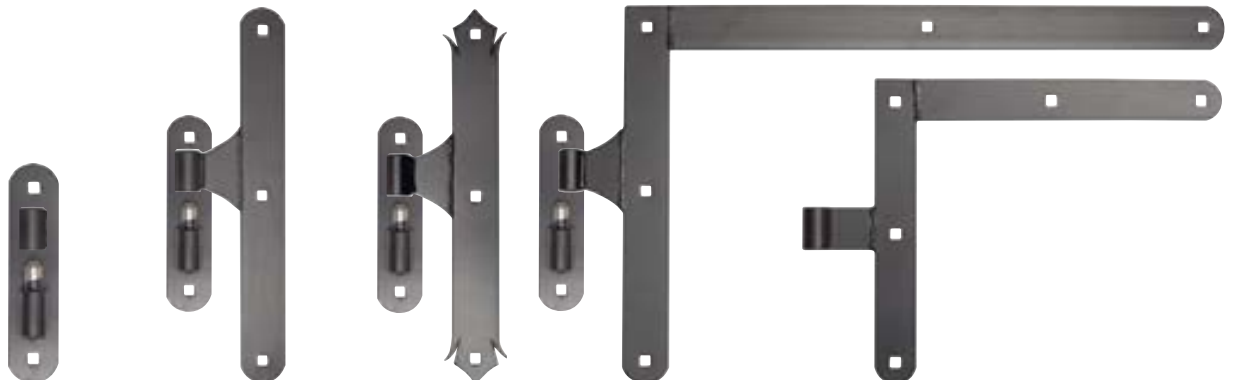
Ø	H	N°
20	70	61.120.01
24	80	61.124.01
27	90	61.127.01
30	100	61.130.01
35	120	61.135.01
40	120	61.140.01



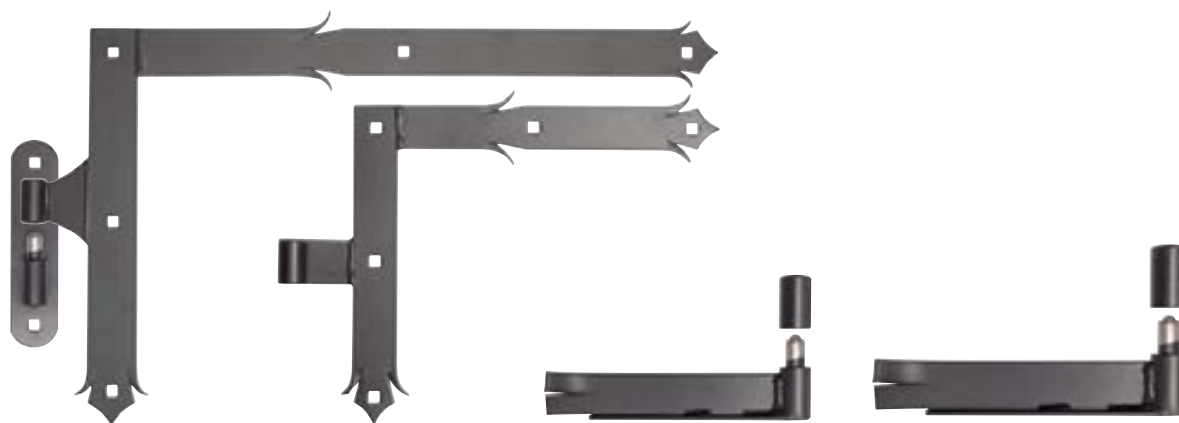
Ø	H	N°
16/20	120	61.116.02
20/25	140	61.120.02
23/28	200	61.124.02

new

□	Ø35
H (mm)	190
N°	61.107

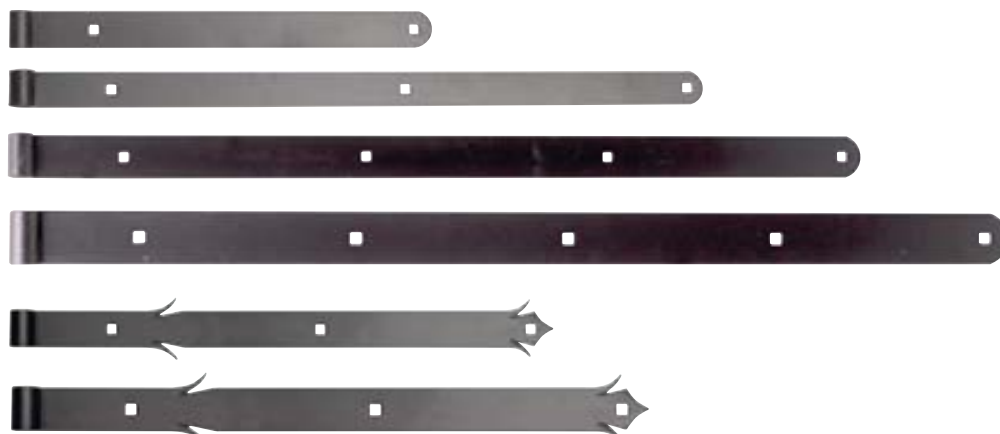


□	Ø27	Ø27	Ø27	50x5	35x4
H (mm)	210x90	400x50	400x50	400x650	250x290
N°	61.202	61.211	61.212	61.221	61.222



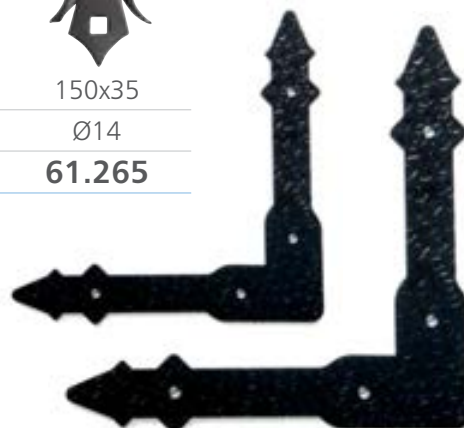
<input type="checkbox"/>	50x5	35x4	Ø27	Ø35
H (mm)	400x650	250x290	220	240
N°	61.223	61.224	61.231	61.232

H	L	Ø	N°
400	35	14	61.251
600	35	14	61.252
800	40	18	61.253
1000	50	18	61.254
1150	60	20	61.255
500	35	14	61.256
700	50	18	61.257



<input type="checkbox"/>	150x35	200x40	220x50	220x60	150x35
	Ø14	Ø18	Ø18	Ø20	Ø14
N°	61.261	61.262	61.263	61.264	61.265

Ø	H	L	N°
14	150	35	61.271
18	200	40	61.272
18	220	50	61.273
20	270	60	61.274



<input type="checkbox"/>	150x150	200x200
	3	3
N°	61.300	61.301



185x160
3

N° **61.302**



250x210
3

N° **61.303**



203x100
3

N° **61.304**



350x200
3

N° **61.305**



350x200
3

N° **61.306**



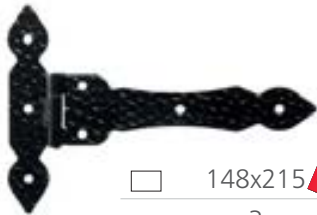
525x225
3

N° **61.307**



525x225
3

N° **61.308**



148x215 **new**
3

N° **61.314**



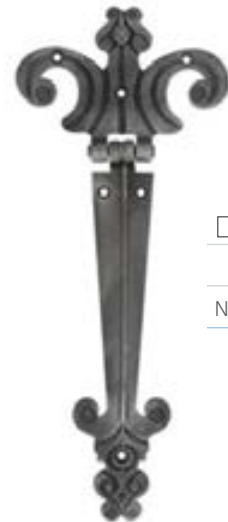
208x352 **new**
3

N° **61.315**



208x352 **new**
3

N° **61.316**



405x170
5

N° **61.310**



270x500 **new**
3

N° **61.317**



270x500 **new**
3

N° **61.318**

2.02

daszki i zaślepki • post tops and stoppers • Deckel und Verschlusskappen
 • навесы и заглушки • krytky a záslepky



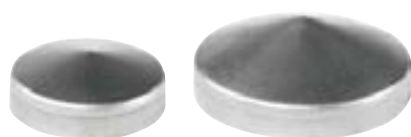
□	H	N°
20x20	1	62.002
30x30	1	62.003
40x40	1	62.004
50x50	1	62.005
60x60	1	62.006
80x80	1	62.008
100x100	1	62.010
120x120	1	62.012
150x150	1	62.015
200x200	1	62.020



□	H	N°
20x20	1	62.002.01
30x30	1	62.003.01
40x40	1	62.004.01
50x50	1	62.005.01
60x60	1	62.006.01
70x70	1	62.007.01
80x80	1	62.008.01
90x90	1	62.009.01
100x100	1	62.010.01
110x110	1	62.011.01
120x120	1	62.012.01
160x160	1	62.016.01



□	H	N°
40x40	40	62.004.04
50x50	50	62.005.05
50x50	60	62.005.06
60x60	50	62.006.05
60x60	60	62.006.06
60x60	80	62.006.08
70x70	60	62.007.06
70x70	70	62.007.07
80x80	60	62.008.06
80x80	80	62.008.08
90x90	80	62.009.08
90x90	90	62.009.09
100x100	60	62.010.06
100x100	80	62.010.08
100x100	100	62.010.10
120x120	80	62.012.08
120x120	100	62.012.10
120x120	120	62.012.12



∅	N°
42	62.031
48	62.032
60	62.033
77	62.034
90	62.035
100	62.036



□	H	N°
60x60	90	62.106
80x80	120	62.108
100x100	140	62.110
120x120	170	62.112
150x150	200	62.115



∅	∅ kula	N°
42	60	62.042.06
48	60	62.048.06
60	60	62.060.06
60	80	62.060.08
72	80	62.072.08
77	60	62.077.06
77	80	62.077.08
80	60	62.080.06
80	80	62.080.08
90	90	62.090.09
100	80	62.100.08
100	100	62.100.10

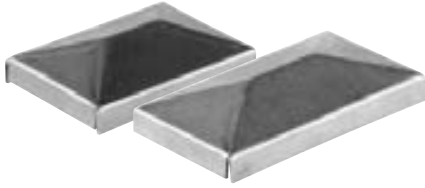


∅	N°
42	62.042
48	62.048
60	62.060
72	62.072
77	62.077
80	62.080
90	62.090
100	62.100



∅	H	N°
180	150/4	62.101
155	145/4	62.102
130	145/4	62.103
100	120/4	62.104

new



□	H	N°
20x30	1	62.123
20x40	1	62.124
30x40	1	62.134
30x50	1	62.135
30x60	1	62.136
40x60	1	62.146
40x80	1	62.148
50x100	1	62.151



∅	N°
30	62.163
40	62.164
50	62.165
60	62.166
70	62.167
90	62.169
110	62.171



□	H	N°
40x40	1	62.184
50x50	1	62.185
60x60	1	62.186
70x70	1	62.187
80x80	1	62.188
90x90	1	62.189
100x100	1	62.190
120x120	1	62.192



□	N°
15x15	62.200
16x16	62.201
20x20	62.202
25x25	62.203
30x30	62.204
35x35	62.206
40x40	62.207
45x45	62.208
50x50	62.209
60x60	62.210
70x70	62.211
80x80	62.212
100x100	62.213
120x120	62.214



□	N°
15x15	62.200.01
16x16	62.201.01
20x20	62.202.01
25x25	62.203.01
30x30	62.204.01
35x35	62.206.01
40x40	62.207.01
45x45	62.208.01
50x50	62.209.01
60x60	62.210.01
70x70	62.211.01
80x80	62.212.01
100x100	62.213.01
120x120	62.214.01



□	N°
15x25	62.221
18x30	62.222
20x30	62.223
20x40	62.224
25x40	62.226
27x40	62.227
30x50	62.228
30x60	62.229
40x60	62.230
40x80	62.231
40x100	62.232
50x100	62.234
60x80	62.235
60x100	62.236
60x120	62.237



□	N°
15x25	62.221.01
18x30	62.222.01
20x30	62.223.01
20x40	62.224.01
25x40	62.226.01
27x40	62.227.01
30x50	62.228.01
30x60	62.229.01
40x60	62.230.01
40x80	62.231.01
40x100	62.232.01
50x100	62.234.01
60x80	62.235.01
60x100	62.236.01
60x120	62.237.01



Ø	N°
16	62.240
18	62.241
20	62.242
25	62.243
30	62.244
32	62.245
35	62.246
40	62.247
43	62.248
50	62.249
60	62.250
70	62.251
76	62.252
1/2"	62.257
3/4"	62.258
1"	62.259
1 1/4"	62.260
1 1/2"	62.261
2"	62.262
2 1/2"	62.263



□	Ø	N°
30x30	30	62.303.03
40x40	40	62.304.04
50x50	50	62.305.05
60x60	60	62.306.06
80x80	70	62.308.07
100x100	80	62.310.08

new



Ø daszek	Ø kula	N°
33	30	62.333.03
42	40	62.342.04
48	50	62.348.05
60	60	62.360.06
77	70	62.377.07
90	70	62.390.07

new



□	N°
M6	62.406
M8	62.408
M10	62.410
M12	62.412
M14	62.414
M16	62.416



□	N°
20x20	62.502
40x40	62.504
50x50	62.505
60x60	62.506
70x70	62.507
80x80	62.508
100x100	62.510

2.03

klamki i szyldy • door handles and shields • Griffe und Schilder
• ручки и накладки • kliky a štítky



□ 135x75, ocynk galwanizowany
N° **63.001**



155x95
N° **63.003**



135x75
N° **63.004**



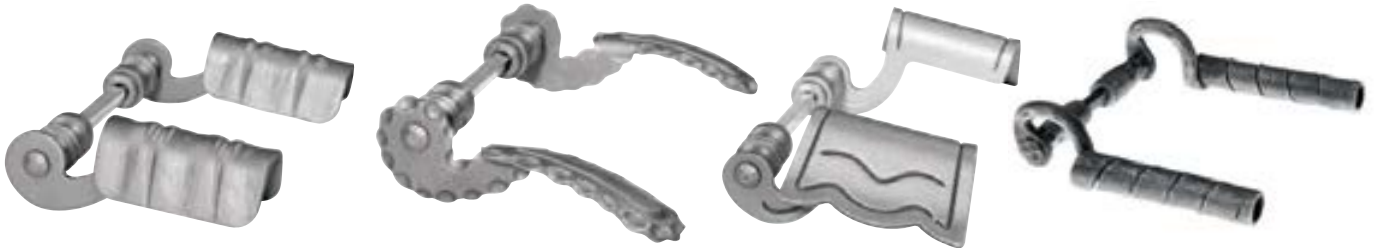
□ 160x85
N° **63.005**



140x75 140x75, ocynk **new**
N° **63.006 63.006.01**



135x75, ocynk
N° **63.007**



<input type="checkbox"/>	137x75	142x90	121x95	110x90
N°	63.012	63.013	63.014	63.019



<input type="checkbox"/>	Ø60	85x65	70x65	65x65	55x65
N°	63.002	63.008	63.009	63.010	63.011



<input type="checkbox"/>	70x116	90x116	60x70	60x70
N°	63.015	63.016	63.017	63.018



<input type="checkbox"/>	Ø12 / 145x110	120x80 new	130x60 new	130x60 new
N°	63.020	63.021	63.022	63.023



<input type="checkbox"/>	280x90	380x70	460x110
N°	63.024	63.025	63.026



Ø68x85



N° **63.027**



Ø68x110

63.028



155

63.029



125



N° **63.030**



150x75 **new**

63.031



160x90 **new**

63.032



Ø80x60 **new**

63.033



140x80 **new**



N° **63.034**



120x80 **new**

63.035



120x80 **new**

63.036



165x80 **new**



N° **63.037**



125x85 **new**

63.038



125x85 **new**

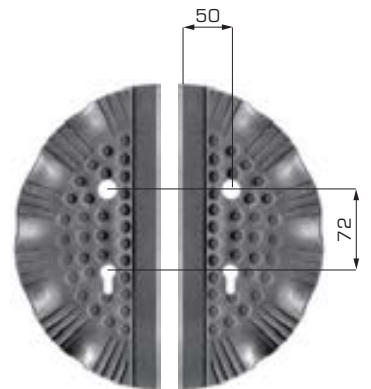
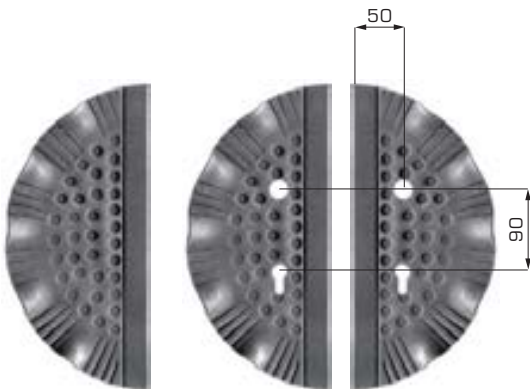
63.039



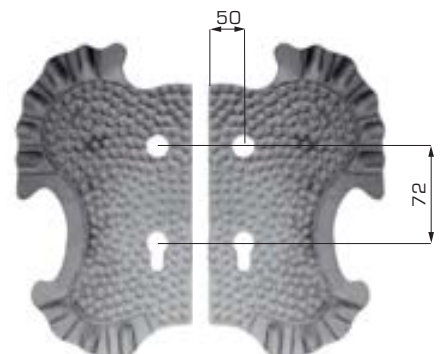
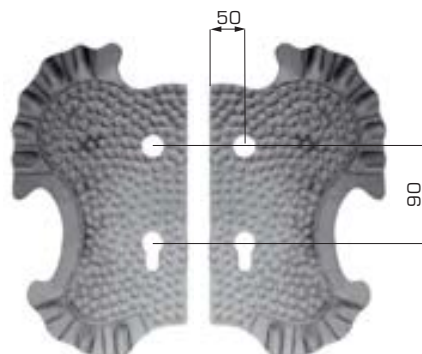
HxL (mm)	Ø65	Ø65	Ø50	Ø50
	2	2	2	2
N°	63.040	63.041	63.042	63.043



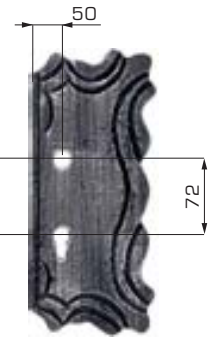
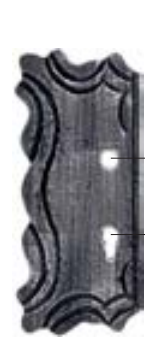
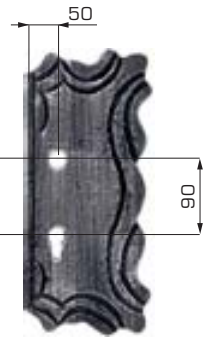
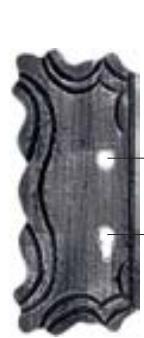
HxL (mm)	Ø50	Ø50	102x36	102x36
	4	4	3	3
N°	63.044	63.045	63.046	63.047



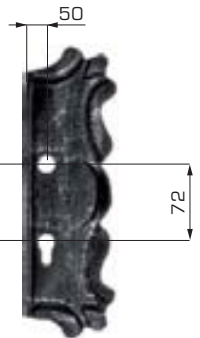
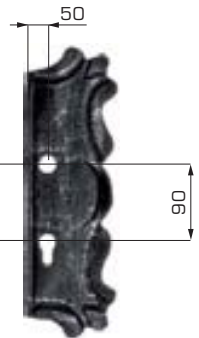
HxL (mm)	275x130	275x130	275x130	275x130	275x130	275x130
	3	3	3	3	3	3
N°	63.101.00.00	63.102.90.50	63.103.90.50	63.102.00.50	63.103.00.50	63.102.72.50
				63.103.72.50		



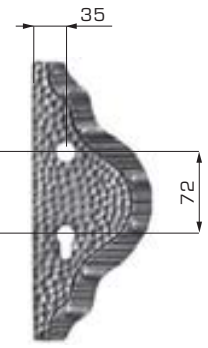
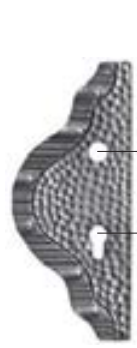
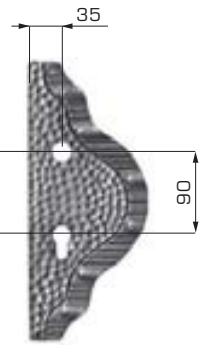
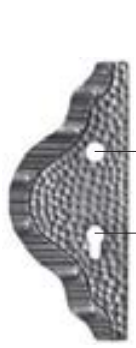
HxL (mm)	290x160	290x160	290x160	290x160	290x160	290x160
	4	4	4	4	4	4
N°	63.104.00.00	63.105.00.00	63.106.90.50	63.107.90.50	63.106.72.50	63.107.72.50



HxL (mm)	305x135	305x135	305x135	305x135	305x135
	4	4	4	4	4
N°	63.108.00.00	63.109.90.50	63.110.90.50	63.109.72.50	63.110.72.50



HxL (mm)	295x90	295x90	295x90	295x90	295x90
	4	4	4	4	4
N°	63.111.00.00	63.112.90.50	63.113.90.50	63.112.72.50	63.113.72.50

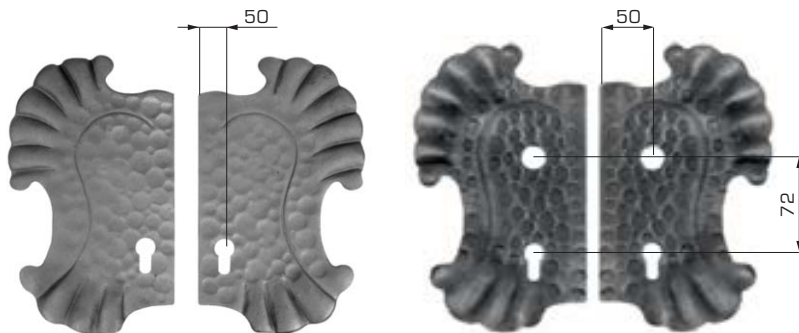


HxL (mm)	295x120	295x120	295x120	295x120	295x120
	3	3	3	3	3
N°	63.114.00.00	63.115.90.35	63.116.90.35	63.115.72.35	63.116.72.35

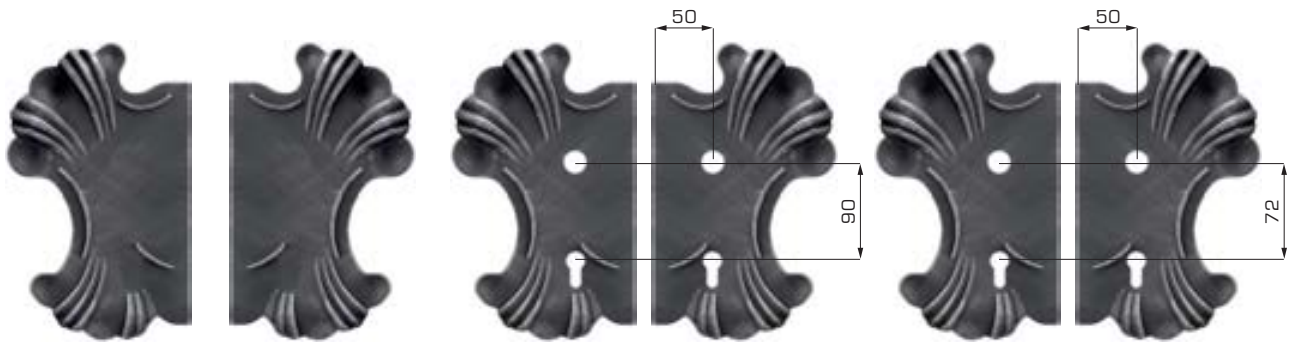




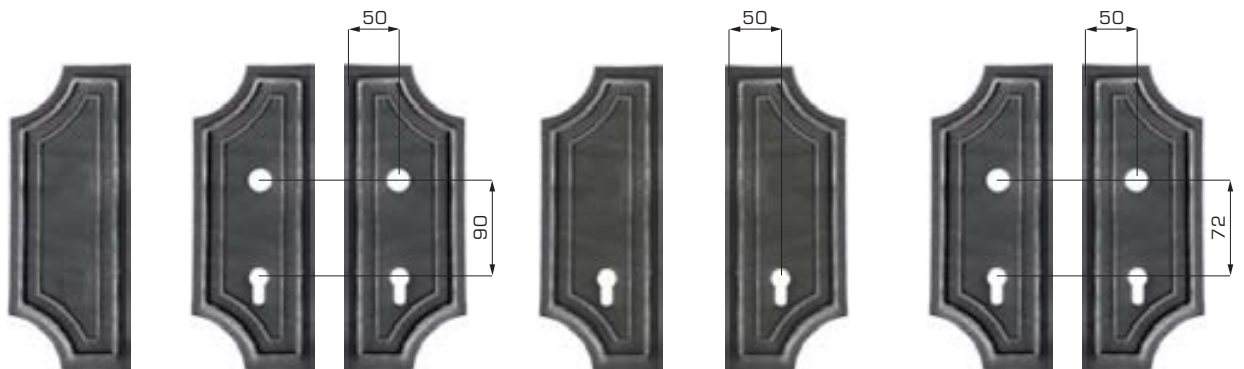
HxL (mm)	275x160	275x160	275x160	275x160
	3	3	3	3
N°	63.117.00.00	63.118.00.00	63.119.90.50	63.120.90.50



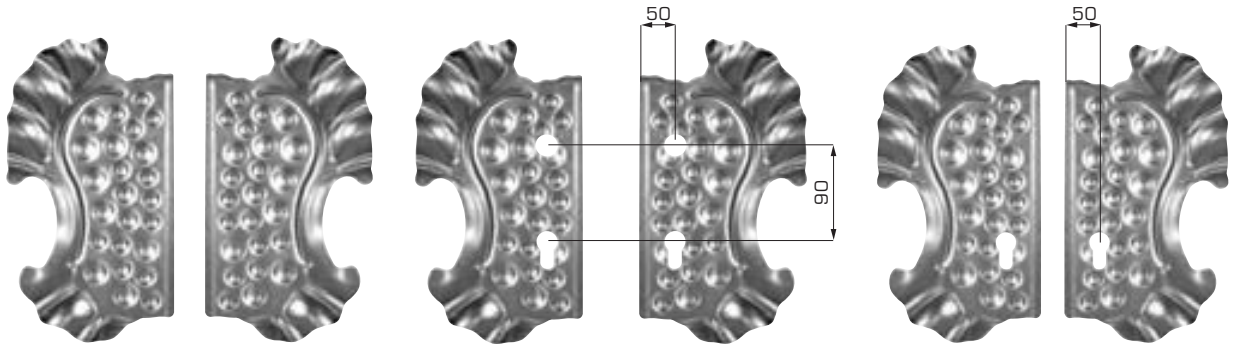
HxL (mm)	275x160	275x160	275x160	275x160
	3	3	3	3
N°	63.119.00.50	63.120.00.50	63.119.72.50	63.120.72.50



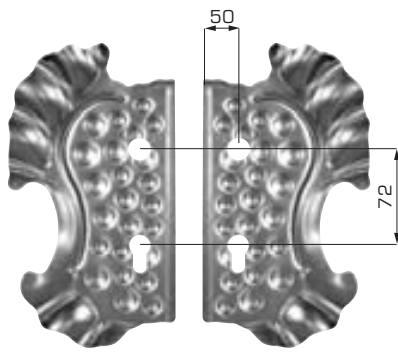
HxL (mm)	270x165	270x165	270x165	270x165	270x165	270x165
	2	2	2	2	2	2
N°	63.125.00.00	63.126.00.00	63.127.90.50	63.128.90.50	63.127.72.50	63.128.72.50



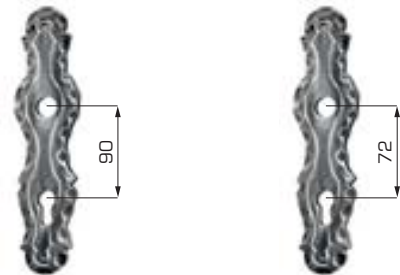
HxL (mm)	280x110	280x110	280x110	280x110	280x110	280x110
	2	2	2	2	2	2
N°	63.129.00.00	63.130.90.50	63.131.90.50	63.130.00.50	63.131.00.50	63.130.72.50
						63.131.72.50



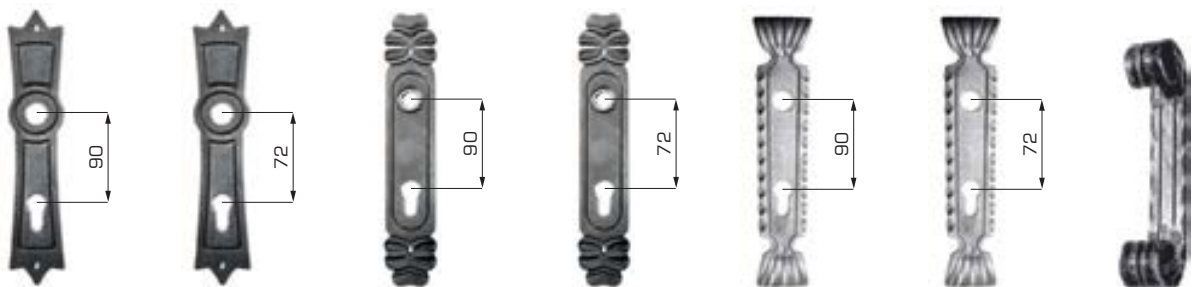
HxL (mm)	290x160	290x160	290x160	290x160	290x160	290x160
	2	2	2	2	2	2
N°	63.134.00.00	63.135.00.00	63.136.90.50	63.137.90.50	63.136.00.50	63.137.00.50



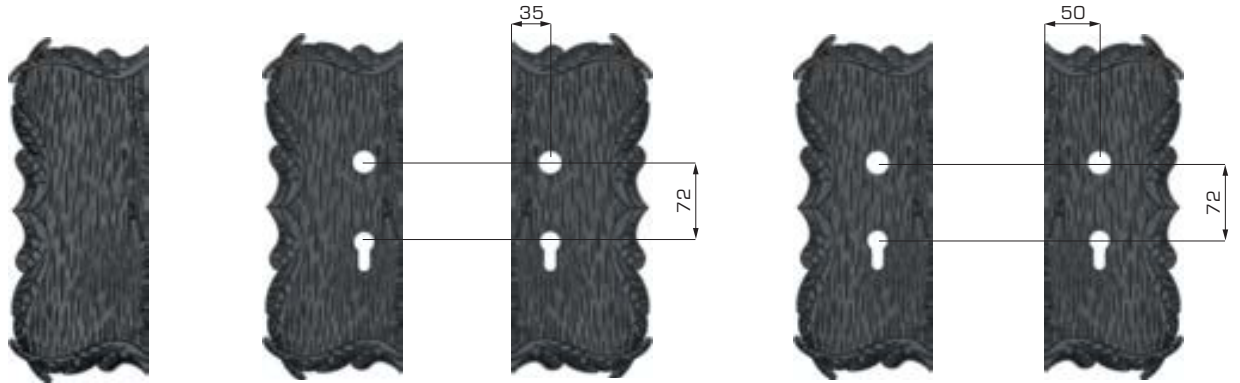
HxL (mm)	230x160	230x160
	2,5	2,5
N°	63.136.72.50	63.137.72.50



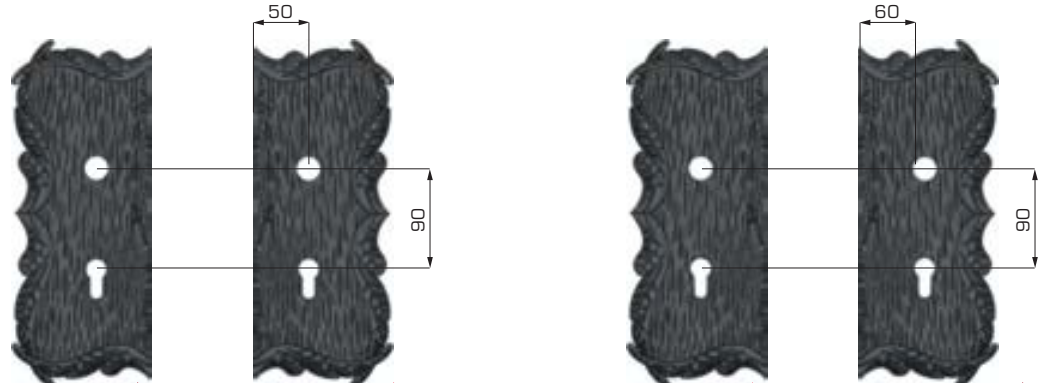
HxL (mm)	260x57	260x57
	3	3
N°	63.138.90.00	63.138.72.00



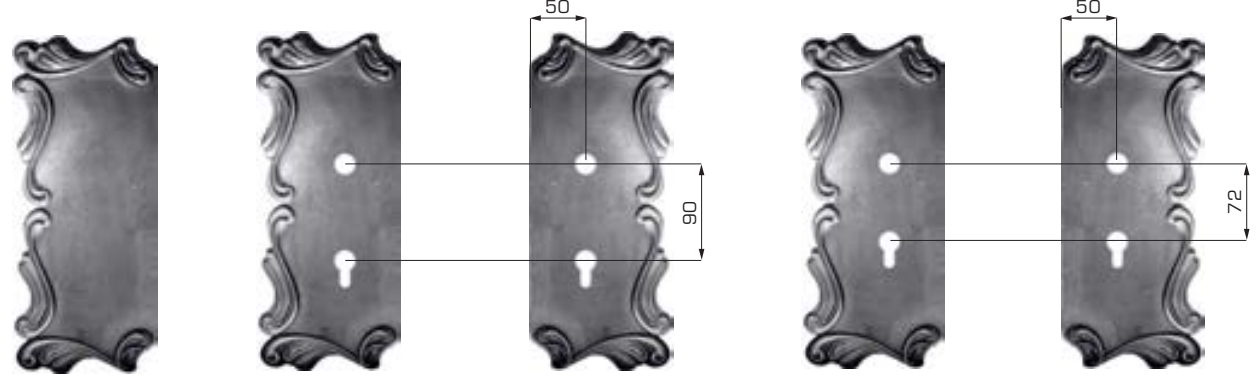
HxL (mm)	260x52	260x52	260x46	260x46	260x56	260x56	230x40
	3	3	3	3	3	3	5
N°	63.139.90.00	63.139.72.00	63.140.90.00	63.140.72.00	63.141.90.00	63.141.72.00	63.142



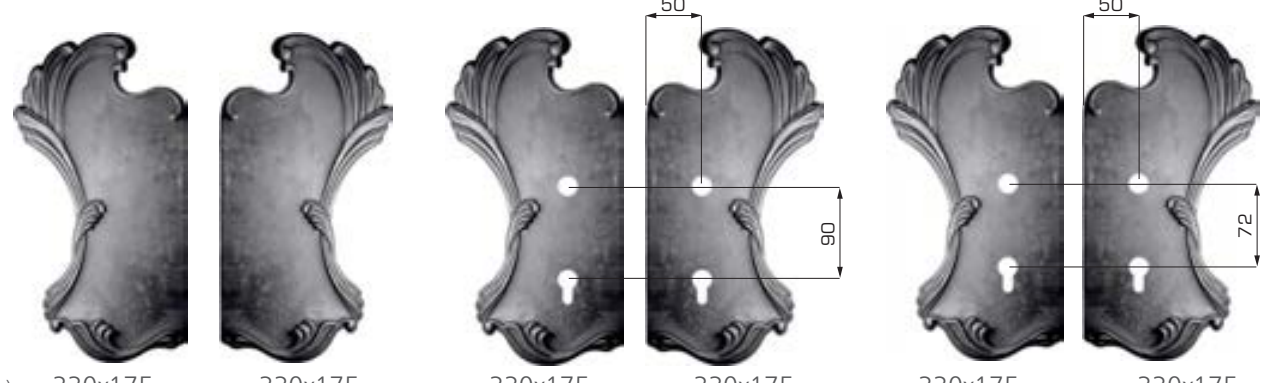
HxL (mm)	310x125	310x125	310x125	310x125	310x125
	2	2	2	2	2
N°	63.143.00.00	63.144.72.35	63.145.72.35	63.144.72.50	63.145.72.50



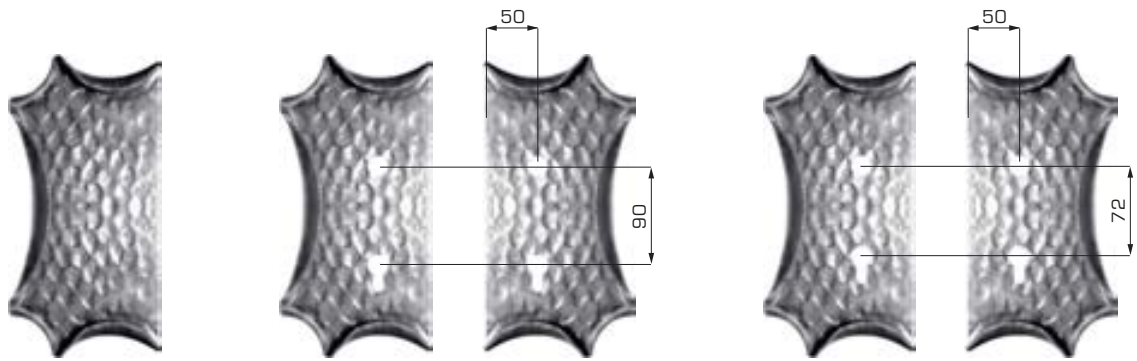
HxL (mm)	310x125	310x125	310x125	310x125
	2	2	2	2
N°	63.144.90.50	63.145.90.50	63.144.90.60	63.145.90.60



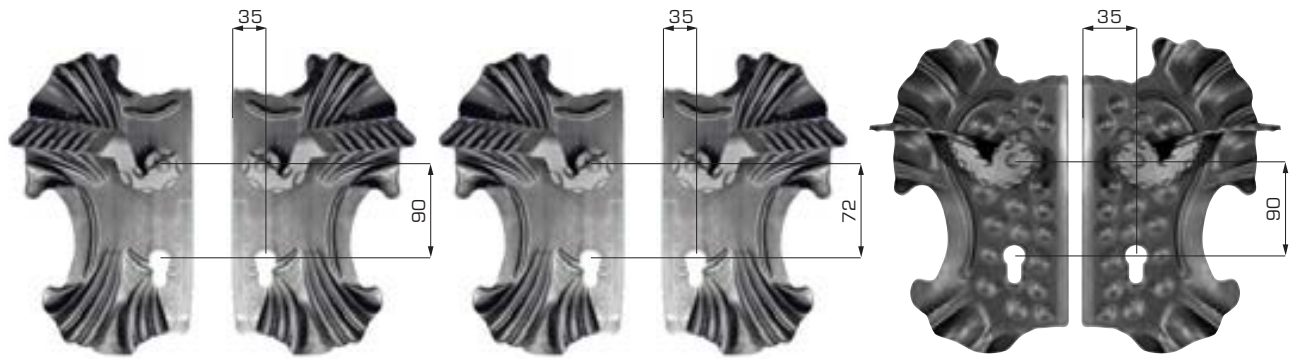
HxL (mm)	315x135	315x135	315x135	315x135	315x135
	3	3	3	3	3
N°	63.146.00.00	63.147.90.50	63.148.90.50	63.149.72.50	63.150.72.50



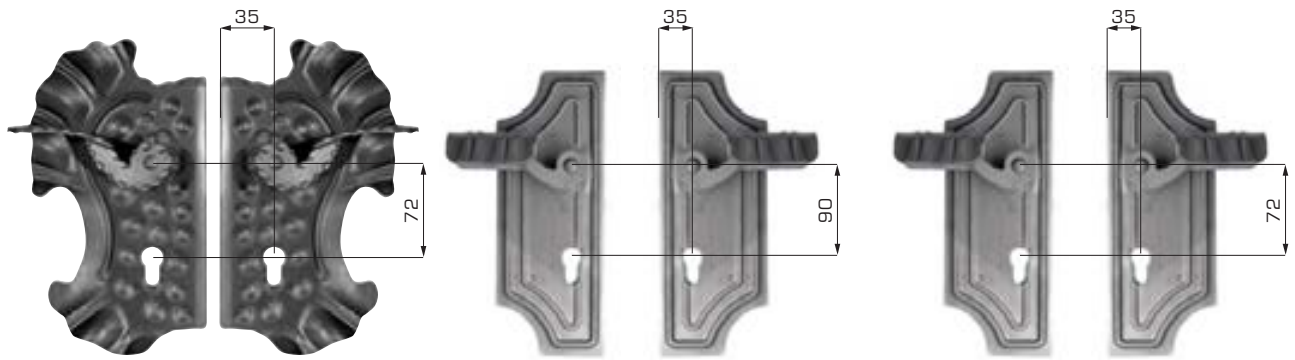
HxL (mm)	330x175	330x175	330x175	330x175	330x175
	3	3	3	3	3
N°	63.151.00.00	63.152.00.00	63.153.90.50	63.154.90.50	63.153.72.50
					63.154.72.50



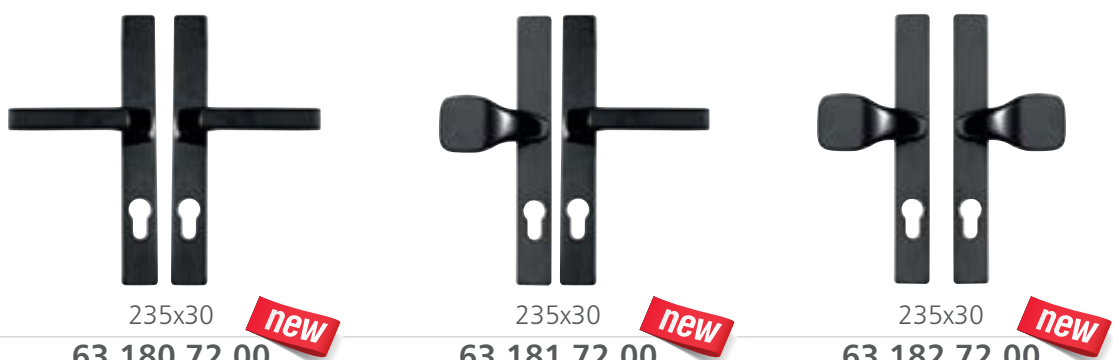
HxL (mm)	280x140	280x140	280x140	280x140	280x140
	4	4	4	4	4
N°	63.157.00.00	63.158.90.50	63.159.90.50	63.158.72.50	63.159.72.50



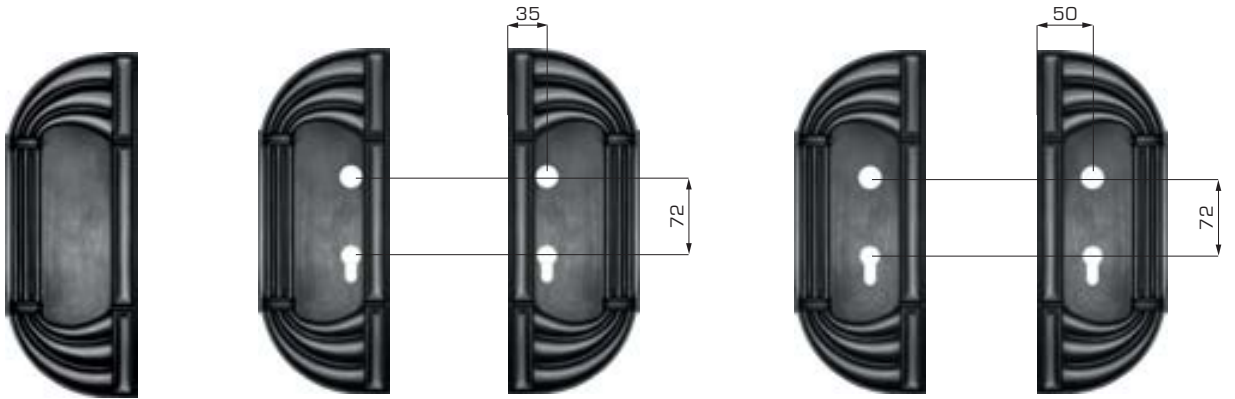
HxL (mm)	285x155	285x155	285x155	285x155	290x160	285x155
	2	2	2	2	2	2
N°	63.171.90.35	63.172.90.35	63.171.72.35	63.172.72.35	63.173.90.35	63.174.90.35



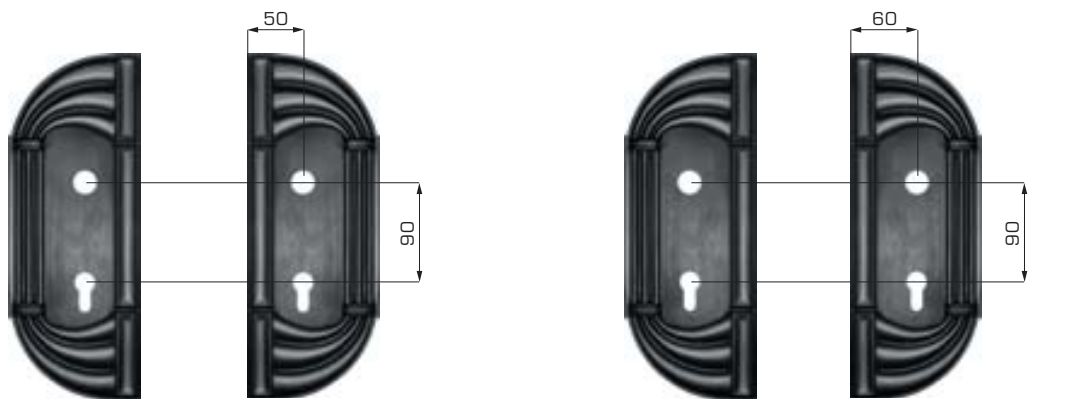
HxL (mm)	290x160	285x155	277x104	277x104	277x104	277x104
	2	2	2	2	2	2
N°	63.173.72.35	63.174.72.35	63.175.90.35	63.175.90.35	63.175.72.35	63.176.72.35



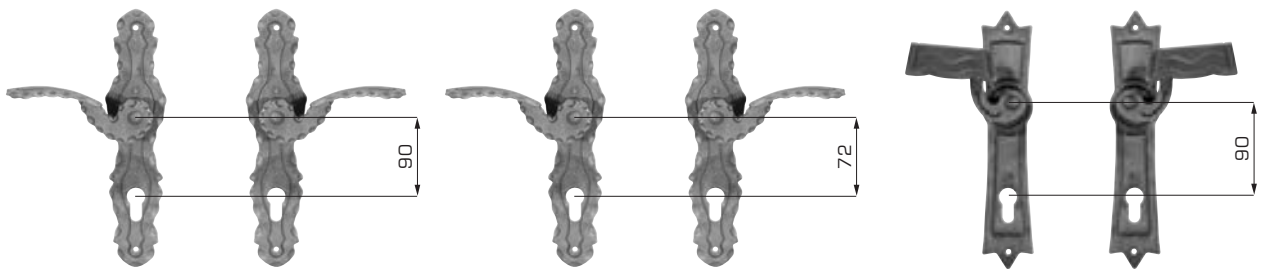
HxL (mm)	235x30	235x30	235x30
N°	63.180.72.00	63.181.72.00	63.182.72.00
HxL (mm)	235x30	235x30	235x30
N°	63.180.90.00	63.181.90.00	



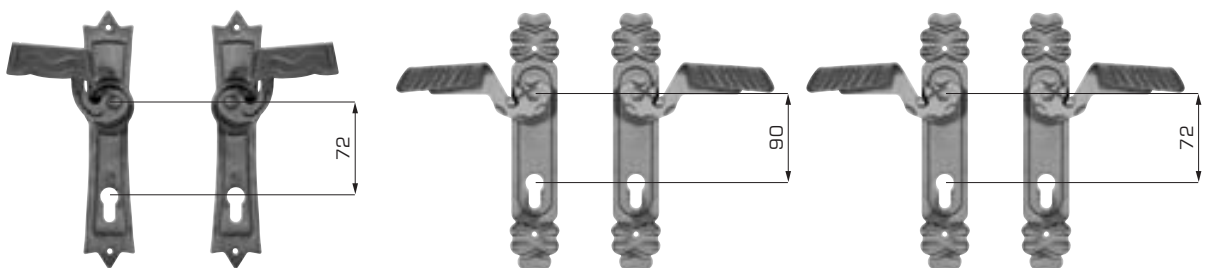
HxL (mm)	310x120	310x120	310x120	310x120	310x120
	2	2	2	2	2
N°	63.185.00.00	63.186.72.35	63.187.72.35	63.186.72.50	63.187.72.50



HxL (mm)	310x120	310x120	310x120	310x120
	2	2	2	2
N°	63.186.90.50	63.187.90.50	63.186.90.60	63.187.90.60



HxL (mm)	260x57	260x57	260x57	260x57	260x52	260x52
	3	3	3	3	3	3
N°	63.191.90.00	63.192.90.00	63.191.72.00	63.192.72.00	63.193.90.00	63.194.90.00

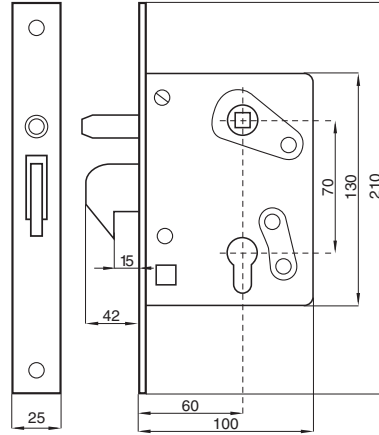


HxL (mm)	260x52	260x52	260x46	260x46	260x46	260x46
	3	3	3	3	3	3
N°	63.193.72.00	63.194.72.00	63.195.90.00	63.196.90.00	63.195.72.00	63.196.72.00

2.04

zamki i wkładki • lock stets and inserts • Türschlösser und Schlosskästen
 • замки и вкладыши • zámky a vložky

locking mechanism with hook and faceplate

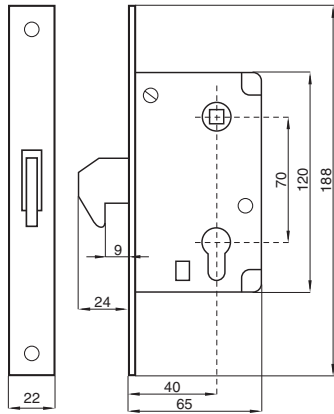


N° 63.200

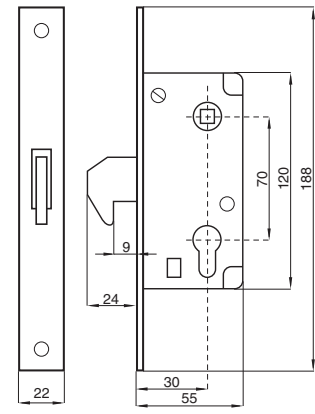


63.202

locking mechanism with hook and faceplate

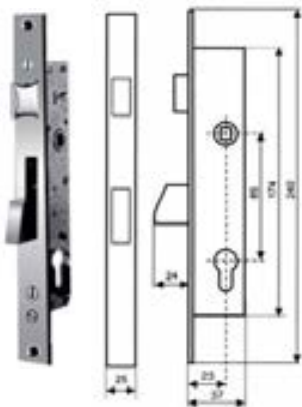


N° 63.204

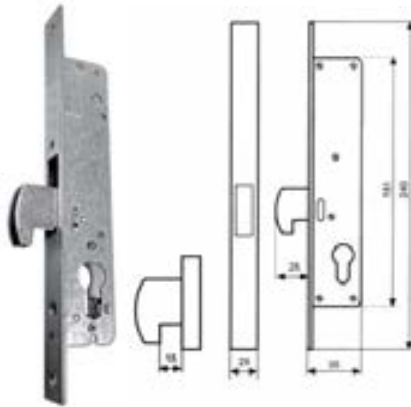


63.205

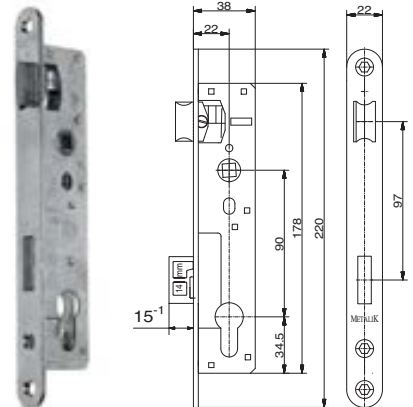
locking mechanism with hook and faceplate



85/20
N° 63.208



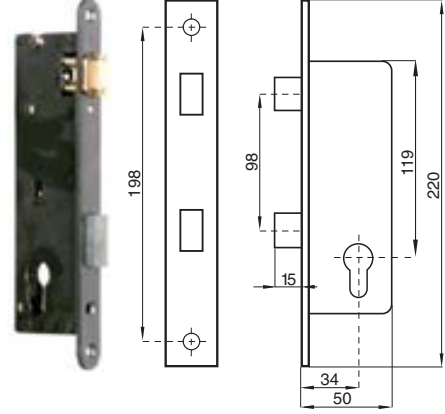
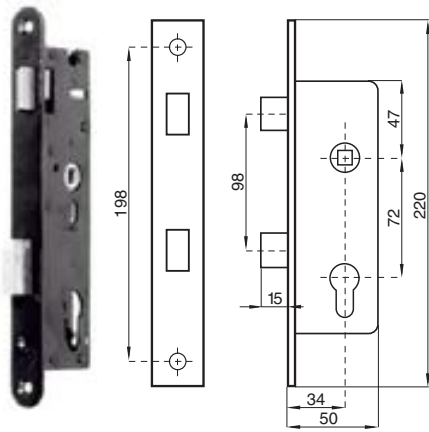
85/20
63.209



90/22
63.210

new

locking mechanism with hook and faceplate



HxL (mm)

72/35

0/35

220

N°

63.211

63.212



HxL (mm)

0/35

0/35

140x50

140x50

100x45

N°

63.213

63.214

63.215



HxL (mm)

72/50

72/50

90/50

90/50

220

155x80x20

220

155x80x20

N°

63.216

63.217

63.218

63.219

door lock set



door lock set



door lock set

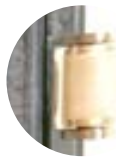


door lock set



HxL (mm)	245 / 50x30	245 / 50x30	245 / 50x30	165 / 50x30	165 / 50x30	165 / 50x30
	72/35	72/35	72/35	0/35	0/35	0/35
N°	63.220	63.220.11	63.220.12	63.221	63.221.13	63.221.14

door lock set



door lock set



door lock set



door lock set



HxL (mm)	245 / 60x40	245 / 60x40	245 / 60x40	165 / 60x40	165 / 60x40	165 / 60x40
	72/35	72/35	72/35	0/35	0/35	0/35
N°	63.222	63.222.11	63.222.12	63.223	63.223.13	63.223.14

door lock set

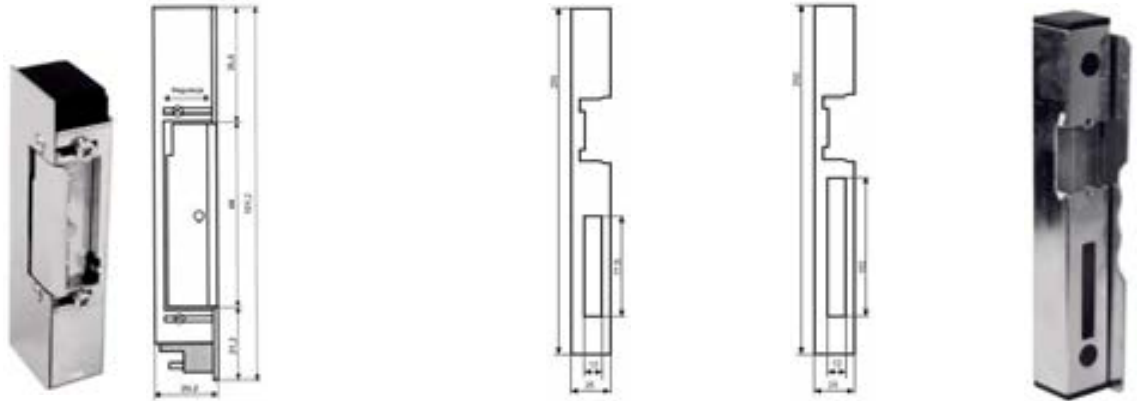


HxL (mm)	260 / 80x40	200x40	260x50	246 / 40x40	246 / 40x40
	90/50			90/22	90/22
N°	63.224	63.225	63.226	63.227	63.228

new

new

new



elektrozaczep 12 V z pamięcią
electric lock 12 AC with memory

elektrozaczep 12 V
electric lock 12 AC

blacha czołowa elektrozaczepu
faceplate for electric lock

55x65

N°	63.329	63.330	63.330.01	63.330.02	63.331
----	---------------	---------------	------------------	------------------	---------------



FC

□	N°
25x25	63.301.01
31x31	63.301.05
36x36	63.301.11



FC, nickel

□	N°
25x25	63.301.02
31x31	63.301.06
36x36	63.301.12

2.05

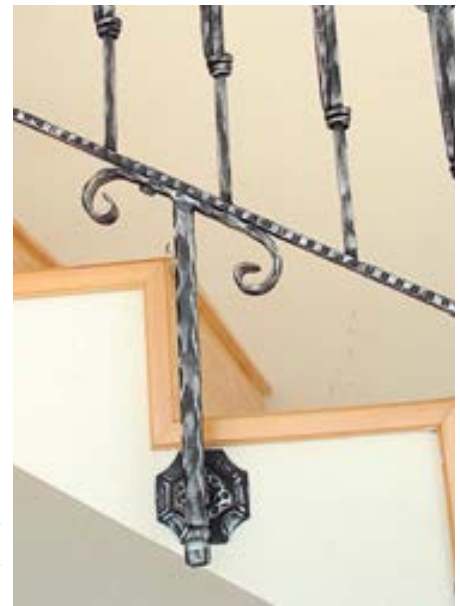
mocowania i wykończenia • fixings and finishing elements • Aufnahmen und Endstücken
• крепления и отделки • kotvení a zakončení sloupků



HxL (mm)	140x40	200x65	50x25	50x30	100x25	100x25
	8	10	5	6	5	5
N°	64.001	64.002	64.003	64.004	64.005	64.006



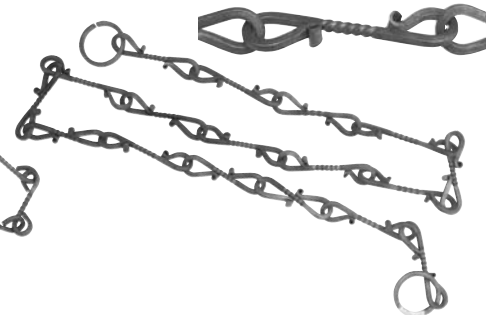
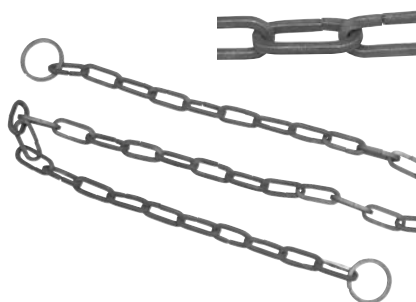
HxL (mm)	130x25 new	130x30 new	420x210	180x95
	Ø12, M10	Ø12, M10	20x20	12x12
N°	64.007	64.008	64.010	64.011



HxL (mm)	180x95	180x95
	12x12	Ø14
N°	64.012	64.013



HxL (mm)	36xØ19	25xØ25	36xØ18	32xØ21	30x19 new
	Ø6	Ø6	Ø6	Ø10	Ø10
N°	64.020	64.021	64.022	64.023	64.024



L (mm)	2000	2000	2000
□	6x6	6x6	6x6
N°	64.031	64.032	64.033



new

	N°
M8	64.035
M10	64.036
M12	64.037
M14	64.038
M16	64.039



new

	L (mm)	N°
M8	1000	64.040
M10	1000	64.041
M12	1000	64.042
M14	1000	64.043
M16	1000	64.044



new

	L (mm)	N°
M12	300	64.045
M14	300	64.046
M16	300	64.047



L (mm)	150	270	340
	Ø12, ocynk galvanized	Ø16	Ø16
N°	64.050	64.051	64.052



L (mm)	340	340	210	220	320	420
	Ø16	Ø16 galvanized	Ø14	Ø12	Ø14	Ø14
N°	64.053	64.054	64.055	64.060	64.061	64.062



L (mm)	420	420	800
	Ø14	Ø14, ocynk galvanized	Ø14, ocynk galvanized
N°	64.063	64.064	64.065



220x12, ocynk galvanized **new**

420x14, ocynk galvanized **new**

N° **64.066**

64.067



Ø16 H300, ocynk galvanized **new**

Ø16 H500, ocynk galvanized **new**

N° **64.069**

64.070



H (mm)

120 120 120 120 120 120 120

N° **64.100 64.101 64.102 64.103 64.104 64.105 64.106**

H (mm)

170 170 170 170 170 170 170

N° **64.100.01 64.101.01 64.102.01 64.103.01 64.104.01 64.105.01 64.106.01**



H (mm)

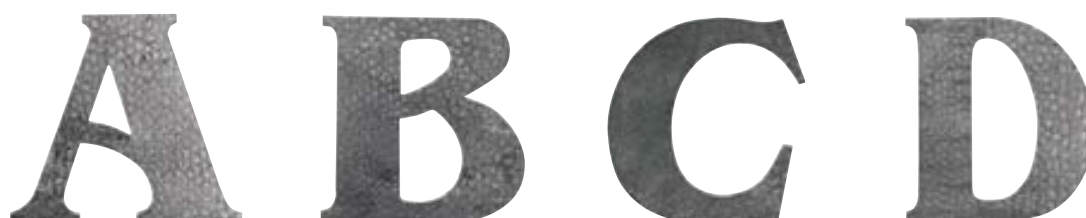
120 120 120 120 120 120 120

N° **64.107 64.108 64.109 64.110 64.111 64.112 64.113**

H (mm)

170 170 170

N° **64.107.01 64.108.01 64.109.01**



H (mm)

170 170 170 170

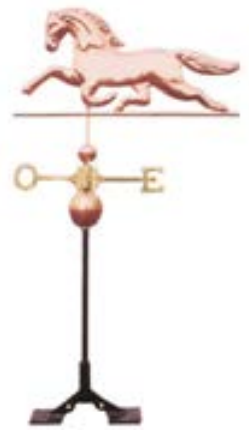
N° **64.110.01 64.111.01 64.112.01 64.113.01**



H (mm)	130x115	130x115	155x140
	ocynk galvanized	ocynk galvanized	ocynk galvanized
N°	64.501	64.502	64.503



H (mm)	1400	1200
N°	65.001	65.002



H (mm)	1400	1000
N°	65.003	65.004

2.06 skrzynki • boxes • Kästen • ящики • schránky



HxL (mm)	405x255	405x255	405x255	405x255
	90	90	90	90
N°	65.200	65.201	65.202	65.203



HxL (mm)	445x395	445x395
	170	170
N°	65.210	65.211



HxL (mm)	370x360	470x360x130	370x360
	132	132	132
N°	65.250	65.250.01	65.251



HxL (mm) 370x270 **new**
116
N° 65.252



370x360
132
N° 65.255



350x260 **new**
85
N° 65.256



HxL (mm) 350x260 **new**
85
N° 65.257



405x270 **new**
120
N° 65.259



300x210
65
N° 65.260



HxL (mm) 300x210
65
N° 65.261



300x210 **new**
65
N° 65.262



360x290 **new**
65
N° 65.270

2.07 lampy • lamps • Lampen • лампы • lampy



Ø290xH 350

N° **66.001**



H 530xL 290x330

N° **66.002**



H 670xL 310x420

N° **66.003** painted

H 670xL 310x420

N° **66.003.01** galvanized



HxL (mm)

400x300

N° **66.004** painted

400x300

N° **66.004.01** galvanized



380x290

N° **66.006** painted

380x290

N° **66.006.01** galvanized

2.08 farby i patyny • paints and patina • Farben und Edelrost

• краски и патины • barvy a patyny

Farby poliwinylowe • Polyvinyl paints



grafit antyczny
antique graphite

0,8 l

3 l

N° **70.001** **70.001.01**



czarny antyczny
antique black

0,8 l

3 l

N° **70.002** **70.002.01**



brąz antyczny
antique brown

0,8 l

3 l

N° **70.003** **70.003.01**

10 l

new

N° **70.001.02**

10 l

new

N° **70.002.02**

Farby styrenowo-akrylowe • Styrene-acrylic paints



grafit antyczny
antique graphite



czarny antyczny
antique black

	1 l	3 l	10 l new	1 l	3 l	10 l new
N°	70.021	70.021.01	70.021.02	70.022	70.022.01	70.022.02

Patyny poliwinylowe • Polyvinyl patina



patyna złota
patina gold



patyna srebro
patina silver



patyna miedź
patina copper



patyna zieleń
patina green



patyna jasnozielona
patina light green

	0,23 l	0,23 l	0,23 l	0,23 l	0,23 l new
N°	70.101	70.102	70.103	70.104	70.105



patyna niebieska jasna
patina light blue



patyna czerwona
patina red



patyna żółta
patina yellow



patyna biała
patina white

	0,23 l new	0,23 l new	0,23 l new	0,23 l new
N°	70.106	70.107	70.108	70.109

Patyny styrenowo-akrylowe • Styrene-acrylic patina



patyna złota
patina gold



patyna srebro
patina silver



patyna miedź
patina copper

	0,23 l	0,23 l	0,23 l
N°	70.121	70.122	70.123

2.09

Kotwy i akcesoria • Anchors and accessories • Anker und Zubehör



new

N° **71.001**



new

300 ml
N° **71.300**



new

410 ml
N° **71.410**



new

□	N°
Ø12x50	74.012
Ø15x85	74.015
Ø15x130	74.015.01
Ø20x85	74.020



new

□	N°
Ø12x1000	74.112
Ø16x1000	74.115
Ø22x1000	74.120



new

□	N°
Ø10	75.010
Ø13	75.013
Ø18	75.018

Pompka do wydmuchiwania zwiercin **new**

N° **75.025**



new

N° **75.030**



new

380/410 ml
N° **75.041**



new

380/410 ml
N° **75.041.01**



BOSCH

Technologia bliżej nas

Niemiecka solidność



Elektronarzędzia znanej marki BOSCH

POSTAL STEEL GROUP – autoryzowany dystrybutor BOSCH w Polsce

Szlifierka kąтова



moc 720 W
tarcza Ø125

N° **GWS 7-125 Professional**



1400 W
Ø125

GWS 14-125



2000 W
Ø230
ograniczenie prądu rozruchu

GWS 20-230

moc 1000 W
tarcza Ø125

N° **GWS 10-125**

1500 W
Ø125
2 800 – 11 500 obr./min.

GWS 15-125

2400 W
Ø230
ograniczenie prądu rozruchu

GWS 24-230

Młot udarowo-obrotowy

Wiertarka udarowa



720 W, udar 2,4 J
funkcja wiercenia, wiercenia
z udarem, podkuwania
walizka

N° **GBH 2400**



750 W, szybkozaciskowy
uchwyt wiertarski
0 – 2 800 obr./min.
walizka

GSB 16 RE

1 100 W, zębaty uchwyt wiertarski
40/14,5 Nm
0 – 900/3 000 obr./min. 2 biegi
walizka

GSB 21-2 RE

Wkrętarka udarowa



walizka, 2 aku 1,5Ah

N° **GSB**

walizka L-Boox, 2 aku 4Ah,
szybka ładowarka,
max moment obr. 60 Nm,
uchwyt 13 mm

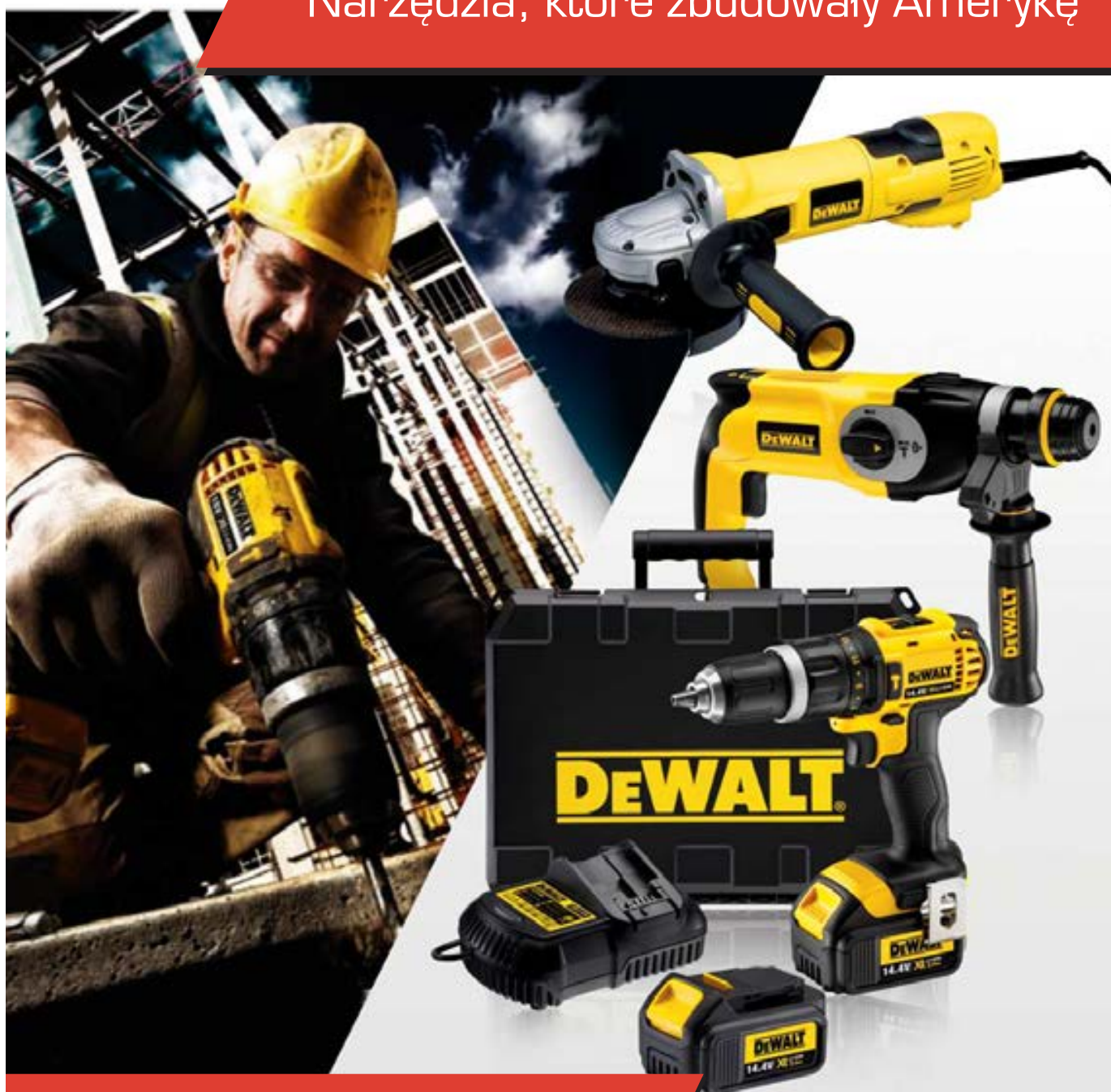
N° **GSR**

walizka L-Boox, 2 aku 4Ah,
szybka ładowarka,
max moment obr. 75 Nm,
uchwyt 13 mm

GSR 14,4 VE-2-LI

DEWALT®

Narzędzia, które zbudowały Amerykę



Elektronarzędzia znanej marki DEWALT

Szlifierka kąтова


moc	1200 W	1400 W
tarcza	Ø125	Ø125
gwint wrzeciona	M14	M14
N°	D28132C	D28135

Wiertarko-wkrętarka


moc 180 W
kufer transportowy, 2 aku 4Ah,
prędkość 0-400/1500 obr./min.
max moment obr. 15,8 Nm

N° **DCD710S2**

Wiertarka


moc 310 W
kufer transportowy, 2 aku 4Ah,
prędkość 0-550/2000 obr./min.
częstość uderu 0-9500/33200 ud./min.
uchwyt 13 mm

N° **DCD737D2**



moc 701 W
prędkość 0-2500 obr./min.
uchwyt 10 mm

N° **DWD112S**

Przecinarka ściernicowa do metalu

moc 2200 W
prędkość 3800 obr./min.
średnica koła 355 mm

N° **D28710**

